

Trevi Panel Installation Booklet

Installer Information

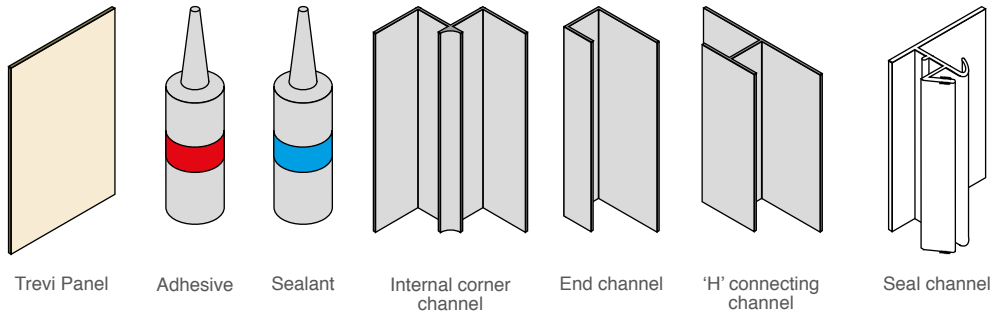
Read this booklet before proceeding with installation. Follow and adhere to all the instructions to ensure the most effective installation. If there are any instructional steps that are unclear or an area they do not cover, please clarify any queries before commencing with the installation. Your particular installation may require specific procedures and adjustments.

Check the items included upon delivery, referring to the components list below. If any items are missing contact your Trevi Panel retailer immediately. Trevi Panel will not be held responsible for any claims for labour or downtime costs in such circumstances.

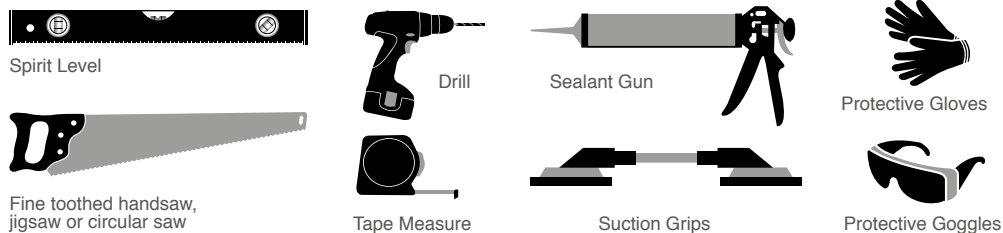
Points to follow

- Always store the panels flat to avoid distortion and bowing.
- Use the sealant and adhesive provided.
- Ensure sealant is properly applied to all areas required including every joint.
- Inspect every panel and component for defect prior to installation.
- Do not store the panels outside or in wet / humid conditions.
- Avoid using abrasive cleaners and bleaches to clean the panels.

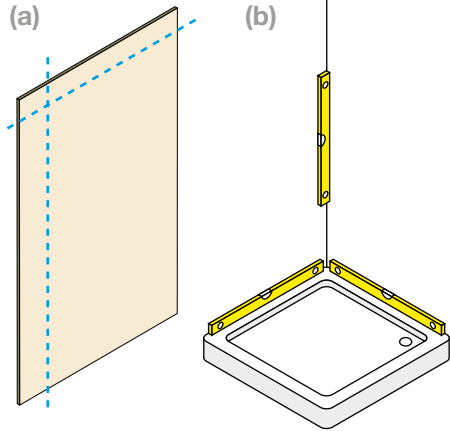
Components



You Will Need

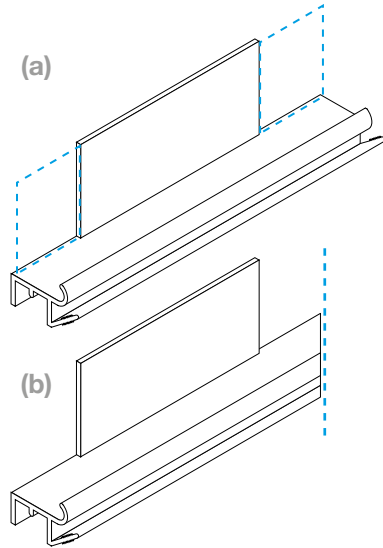


1



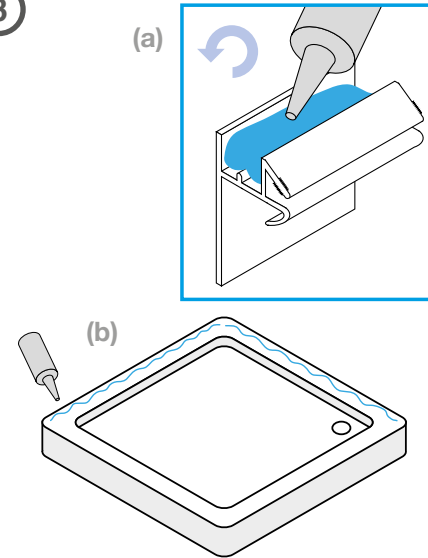
- (a) Cut the **Trevi Panel** to the desired size. Ensure the decorative side is face up if using a fine toothed handsaw. Or face down if using a jigsaw with upward cutting blade.
- (b) Ensure all walls are sound, plumb, dry and clean before installing.

2



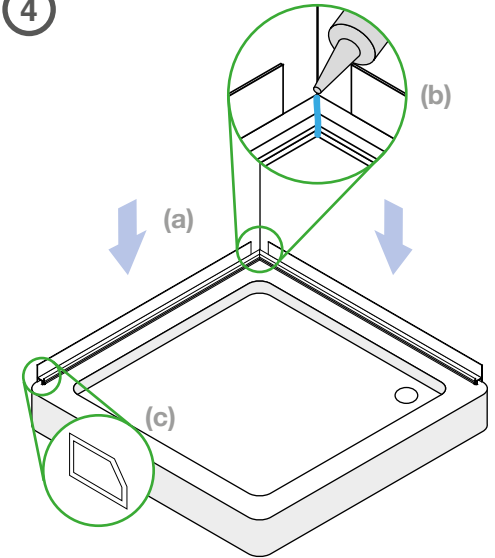
- (a) Remove the face plate then prepare the **Seal-channel** by notching in space for the **Internal corner channel** and end channel.
- (b) Mitre the **Seal-channel** at a 45° angle so it will fit into the corner.

3



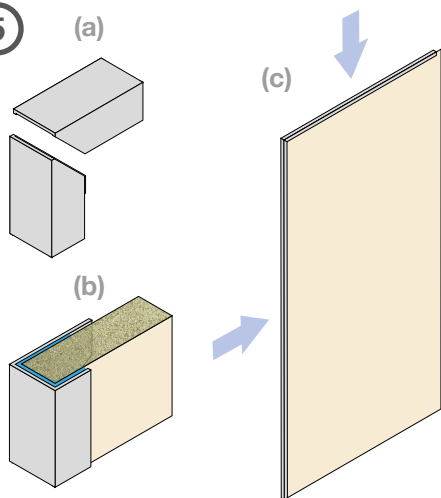
- (a) Turn the **Seal-channel** upside down and fill the length with the **sealant** provided.
- (b) Apply a bead of **sealant** along the side of the shower tray.

4



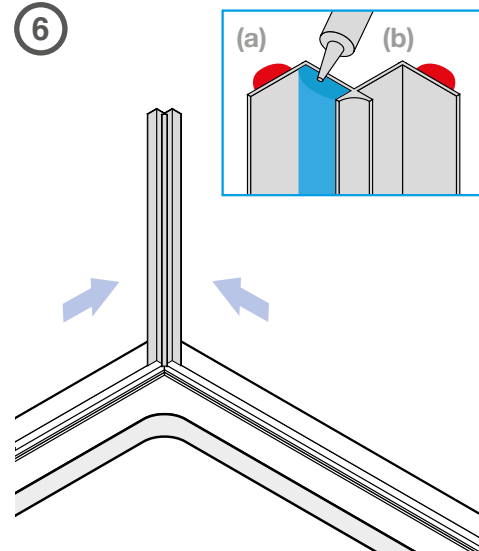
- (a) Place the **Seal-channels** into position.
- (b) Apply **sealant** into the mitre joints.
- (c) Add **End cap** into exposed **sealant**.

5



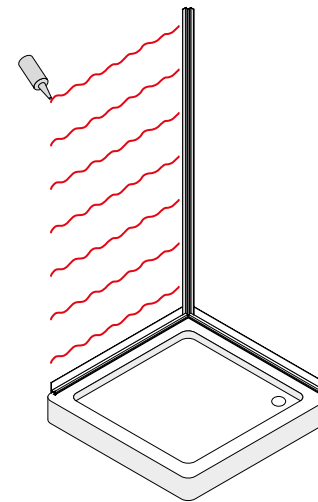
- (a) Mitre the **End channels** so the corners will fit together.
- (b) Apply **sealant** along the length of the **End channels**.
- (c) Securely connect the **End channels** to the side and top of the **Trevi Panel**.

6



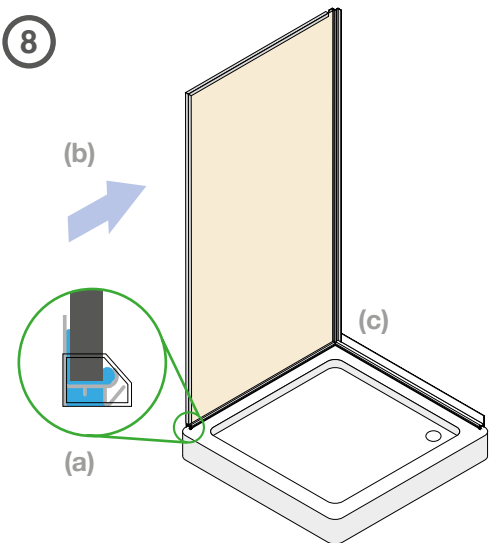
- (a) Apply **adhesive** to the reverse of the **Internal corner channel**. Fit it securely into position.
- (b) Apply **sealant** into the channel recess of the **Internal corner channel**.

7



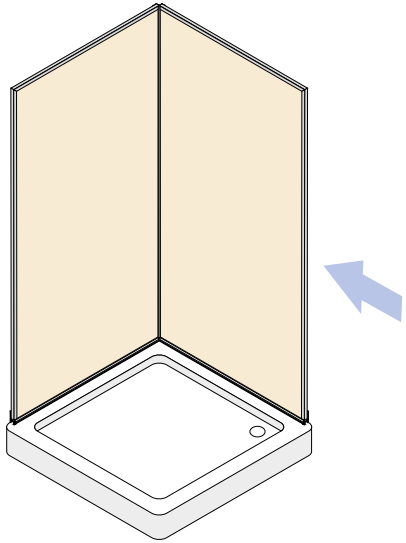
- Apply thick beads of **adhesive** in multiple lines onto the wall. Ensure top, middle and bottom areas are covered. Use a full tube of **adhesive**.

8



- (a) Fill **sealant** along the length of the **Seal-channel**.
- (b) Place the **Trevi Panel** into place ensuring it is plumb and level.
- (c) Remove excess **sealant** from **Seal-channel** and **Internal corner channel**.

Corner Configuration



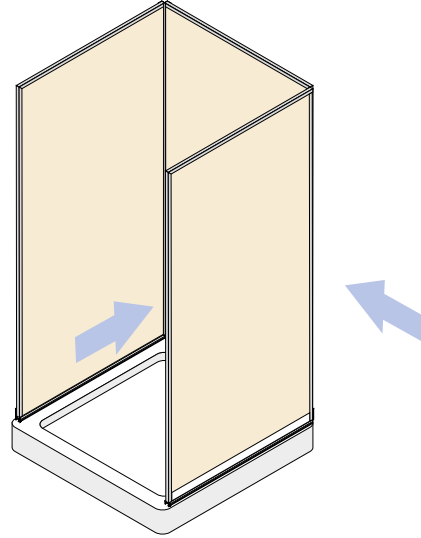
Attach the **End cap** to the other **Seal channel**. (Step 4c)

Attach **End channels** to the **Trevi Panel**. (Step 5)

Add **sealant** to the channel recess. (Step 6b)

Fill the **Seal channel** with **sealant** and place the panel into place. (Step 8)

Enclosed Configuration

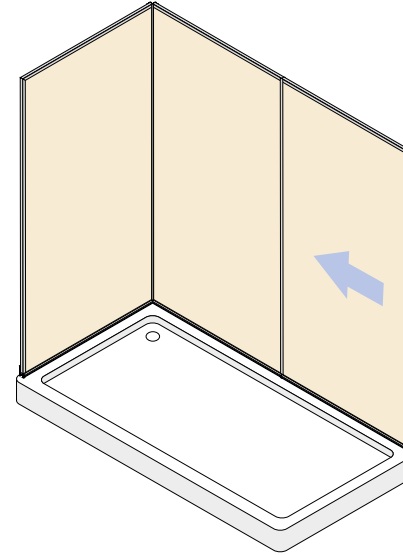


Attach a third **Seal channel** to the shower tray in the initial stages. (Step 3 & 4)

Follow the steps to attach the second panel but with an **Internal corner channel** attached instead of the end channel. (Steps 5 - 8)

Add **End channel**, prepare the wall and attach the third panel. (Steps 5 - 8)

Return Configuration

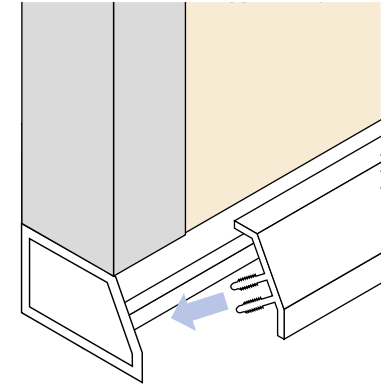


Plan the length of the **Seal channel** and notch accordingly. (Step 2 - 4)

Follow the steps to attach the second panel but with the **'H' Connecting channel** attached instead of the end channel. (Steps 5 - 8)

Add **End channel**, prepare the wall and attached the third panel. (Steps 5 - 8)

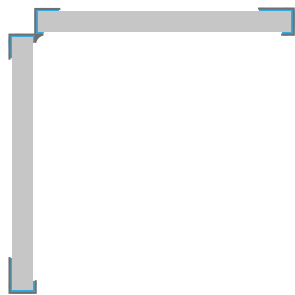
Finishing Touches



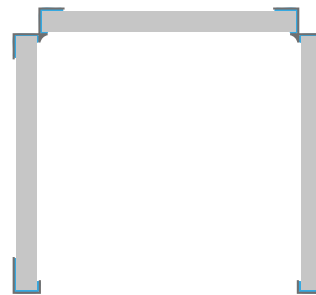
Attach the **Seal channel face cap** by pushing it onto the **Seal channel** front until it 'clicks' into place along its entire length. Ensure that the top flexible capping seal is in contact with the panel surface along its entire length.

To finish, ensure there are no exposed areas of the installation which can result in moisture entering the panel and that all joints are sealed.

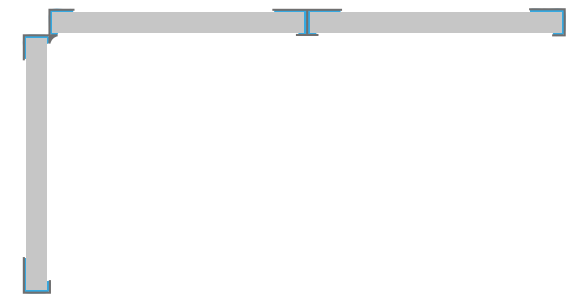
Corner Configuration Diagram



Enclosed Configuration Diagram

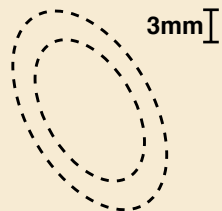


Return Configuration Diagram



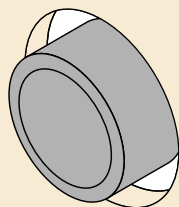
Trevi Panel Cut Outs

1



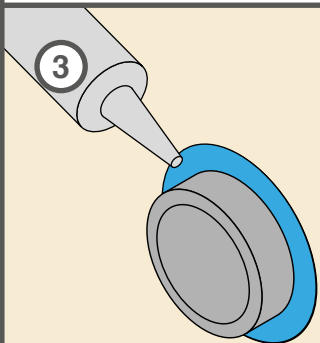
Ensure a clearance space of 3mm when cutting out sections of the Trevi Panel to accommodate pipes and shower components.

2



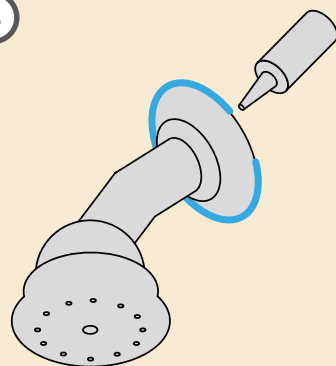
The 3mm clearance space should be left between the fixed object and the panel edge.

3



The space should then be fully filled with **sealant** once the panels are installed and before any further components are fitted.

4



After installing any shower units or pipe work, add **sealant** again to ensure the unit or pipes have a watertight seal.

Additional Information

Handling and Cutting Panels

Appropriate PPE such as safety eyewear and gloves should be worn during installation and the cutting of panels. Panel edges can be sharp so gloves must be worn and the use of suction grips when positioning panels is recommended.

When using a fine-tooth blade hand-saw, panels should be cut decorative face up to prevent chipping of the laminate surface. When using a jig-saw with upward cutting blade or a circular saw, panels should be cut from the back, decorative face down.

When measuring distance from walls allowances should be made for the thickness of aluminium profiles and the space between walls and profiles.

Care

Trevi Panel can be easily cleaned due to its non-porous surface. Trevi Panel should be rinsed down after each use of the shower and cleaned properly. Not rinsing away chemicals such as dyes and bleaches may result in discolouration of the Trevi Panel and the sealants. Abrasive cleaners and bleaches **MUST NOT** be used on the panelling.

Maintenance

Sealant towards the bottom of the shower may need to be replaced periodically, or when needed depending on shower usage and normal sealant degrade. Failure to maintain exposed sealants as necessary may result in water ingress into the panel core and subsequent panel damage.

Disclaimer

These instructions should be read fully before installation. The installation of Trevi Panel should only be carried out by a competent installer. Cubicle Centre accept no responsibility in the following circumstances: faulty installation, incorrect maintenance or storage, damage or misuse.

Cubicle Centre reserve the right to amend details within this installation leaflet without prior notice.

For further information contact:

Tel: 01924 457600 | Email: sales@washroomcubicles.co.uk
Cubicle Centre, Caldervale Business Park, Huddersfield Road, Ravensthorpe, West Yorkshire, WF13 3JL.

© 2017 Cubicle Centre
Trevi Panel is a UK registered trademark of Cubicle Centre.