



Cubicle Installation Guide



Zest

www.washroomcubicles.co.uk

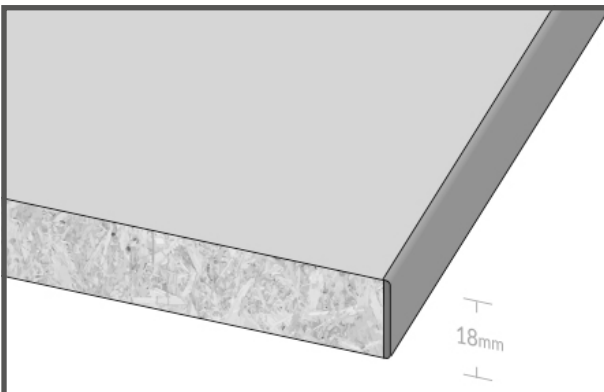
Cubicle Installation Guide



Zest®

A cubicle system for modern washrooms.

Zest is all about looking great while staying practical. More height, less floor clearance and hidden pedestals result in a stylish cubicle system.



Melamine Faced Chipboard

Melamine Faced Chipboard incorporates a decorative melamine surfaces bonded to both sides of high density chipboard under high pressure and temperature.

All visible MFC panels have impact resistant, PVC edging applied.

MFC is a cost effective, hygienic and lightweight solution for all non-wet toilet areas.

IMPORTANT INFORMATION

BEFORE you start, please ensure you have the correct number and type of panels and fittings. This product is supplied on a made-to-measure basis. Therefore the quantity of panels and fittings will vary for each job. Refer to the drawing and cutting list provided for the details of your order.

Liability is limited to replacement of components due to manufacturing defect, and only if notified to us within **3 working days** of delivery.

Before beginning installation:

- Read through these instructions in their entirety to familiarise yourself with the process.
- We recommend a team of experienced joiners install the cubicles.
- Safety procedures must be followed at all times.
- Make sure you have the correct tools needed.
- Check that the walls and floor are level and suitable for drilling into to secure the panels.
- Check the drawing and cutting list provided to make sure you have all the hardware needed.

YOU WILL NEED



Spirit Level



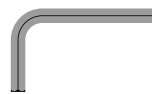
Drill



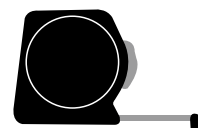
Pencil



Screw Driver



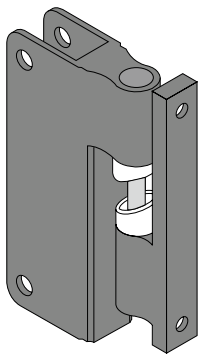
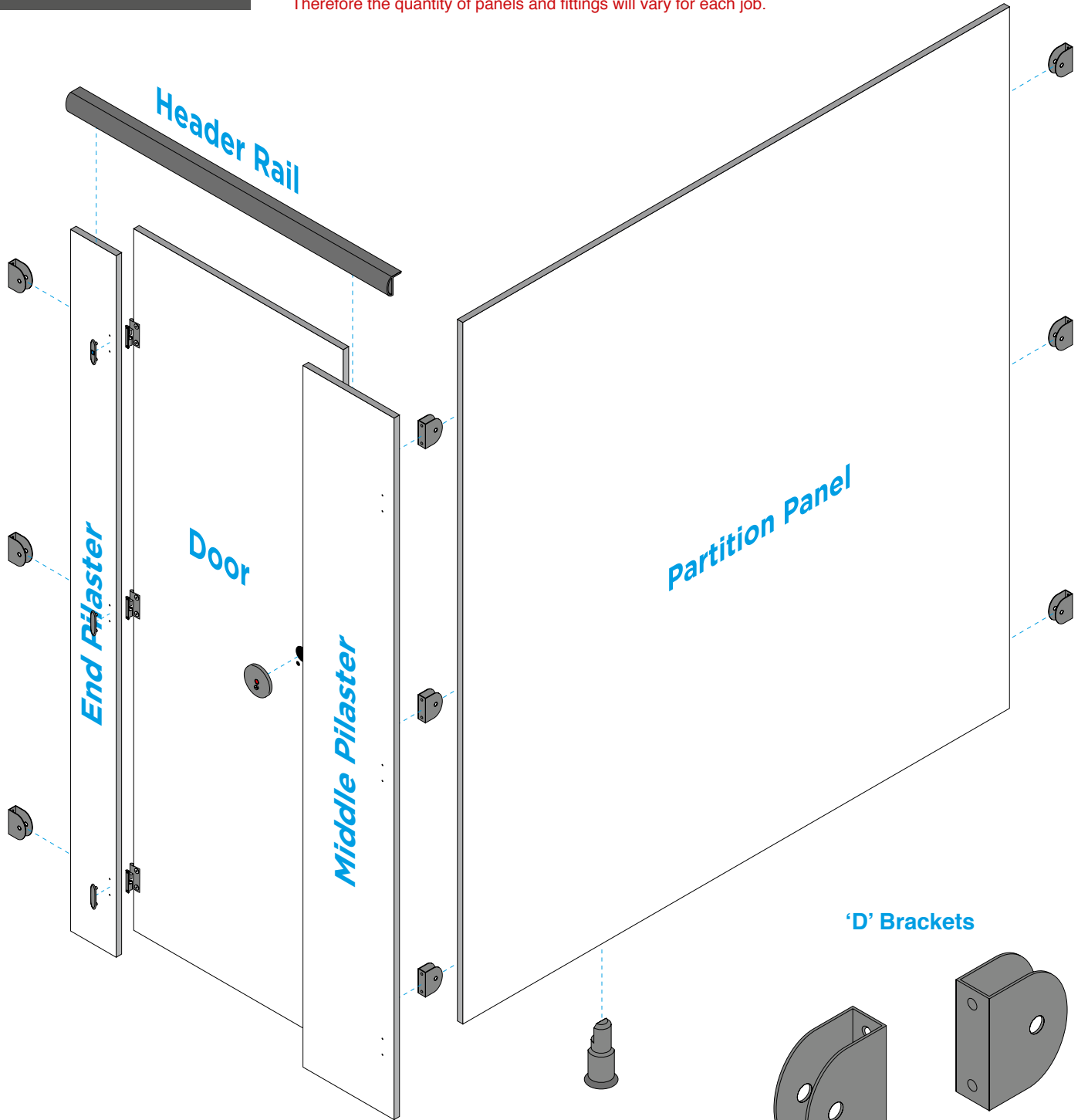
Allen Key (5mm)



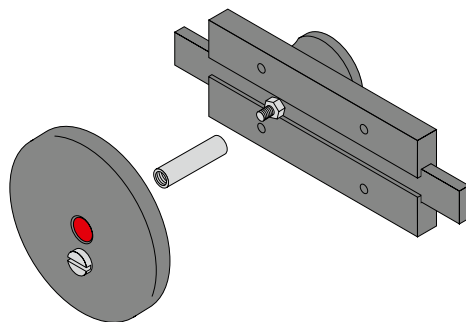
Tape Measure

HARDWARE

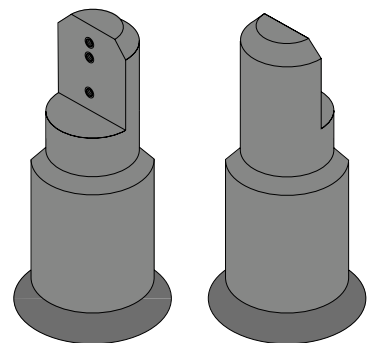
Please Note: This product is supplied on a made-to-measure basis. Therefore the quantity of panels and fittings will vary for each job.



Door Hinge

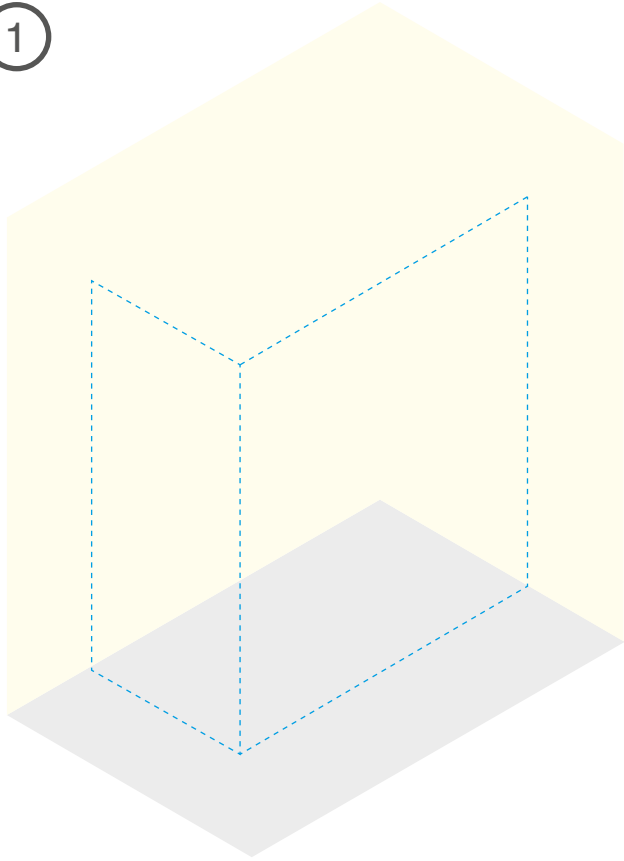


Cubicle Latch



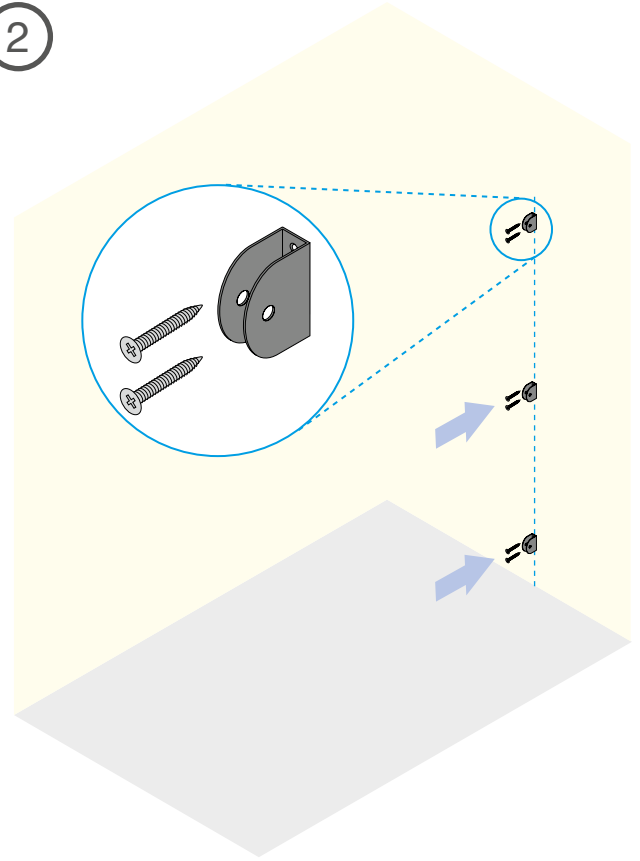
Cubicle Leg

1



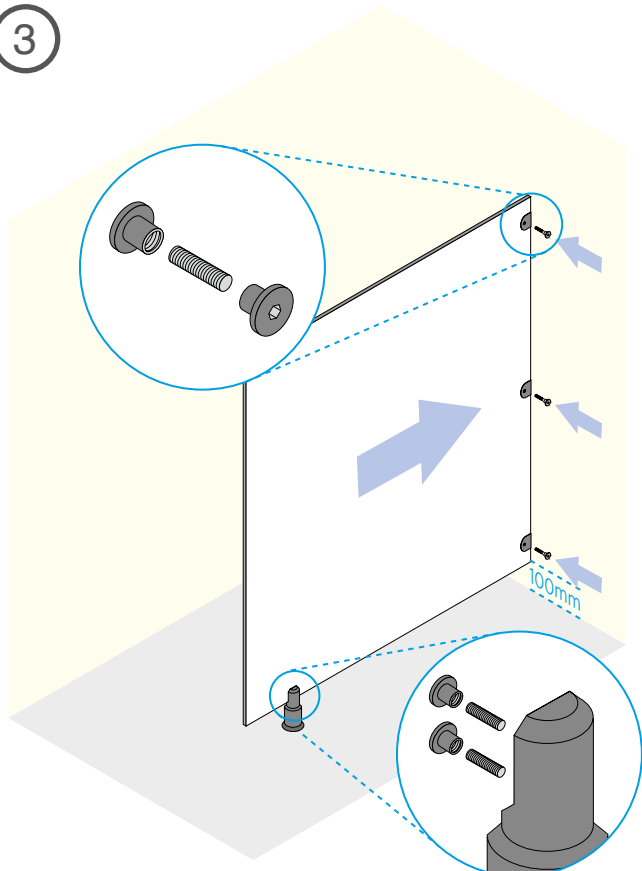
Mark out the centre lines of each panel. Ensure all verticals are plumb and horizontals are level. Make sure the walls and floors are suitable for drilling into.

2



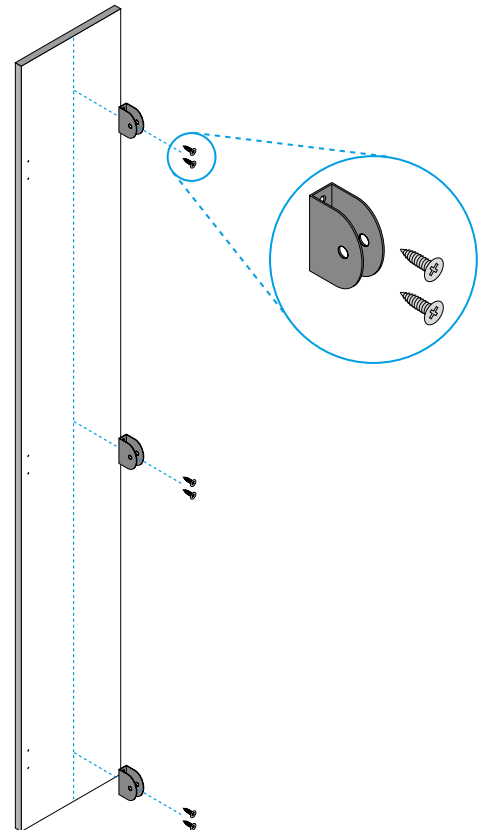
Attach three 'D' brackets to the wall using screws and wall plugs. Space the brackets evenly.

3



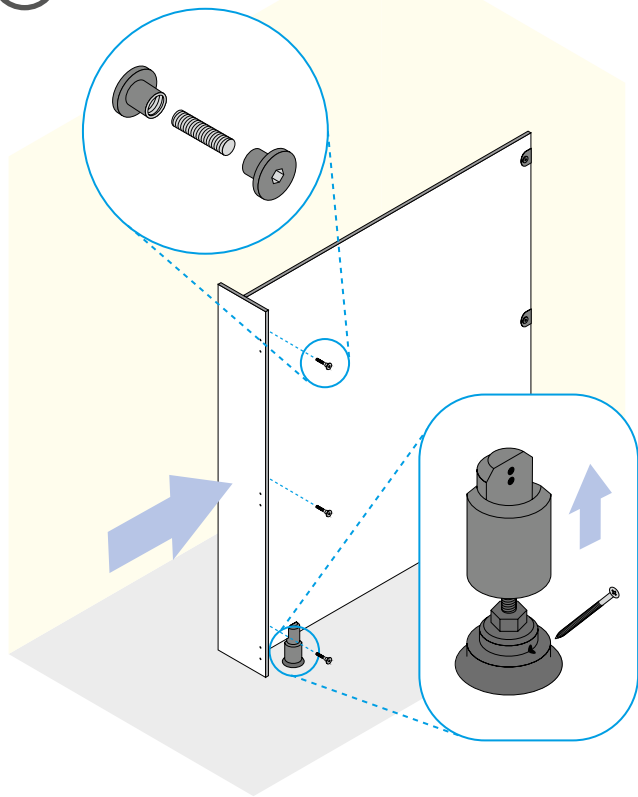
Position the leg 100-150mm from the front of the partition. Drill through and secure with T-nuts. Place the partition between the brackets 100mm above floor level (as standard). Drill through the partition and secure with T-nuts.

4



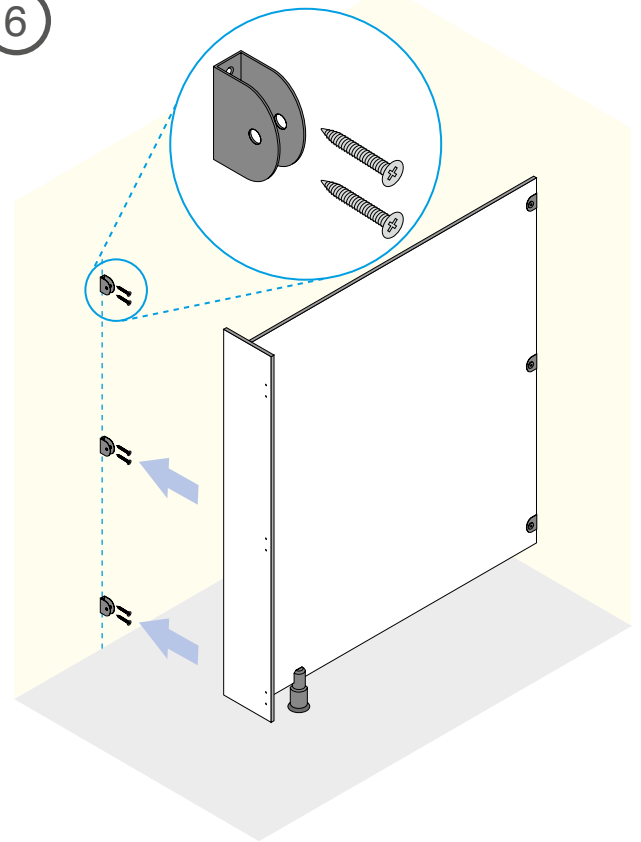
Attach three brackets to the Middle Pilaster (or to the side of an end pilaster if the last cubicle).

5



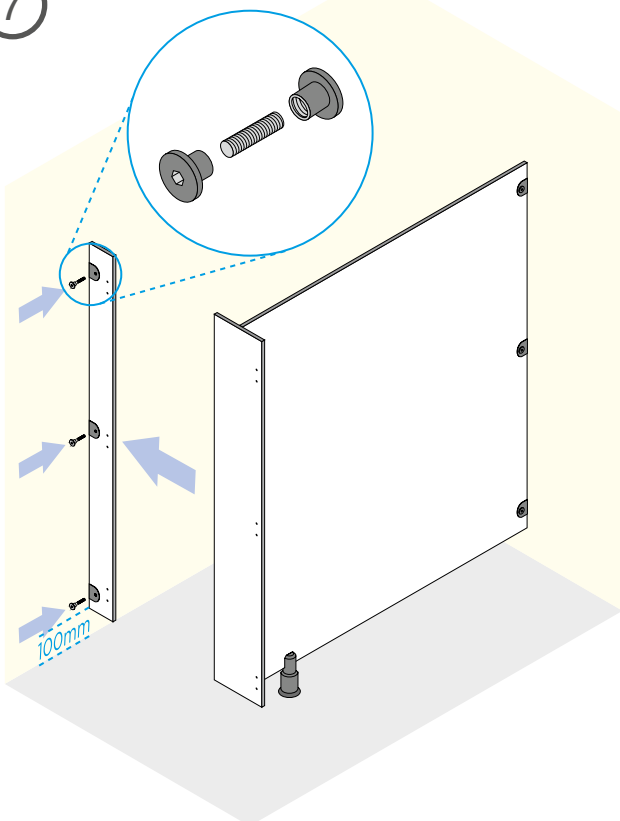
Drill through the partition and secure the pilaster with T-nuts through the 'D' brackets. Secure the leg to the floor with a screw. Release the casing with an allen key to access the hole.

6



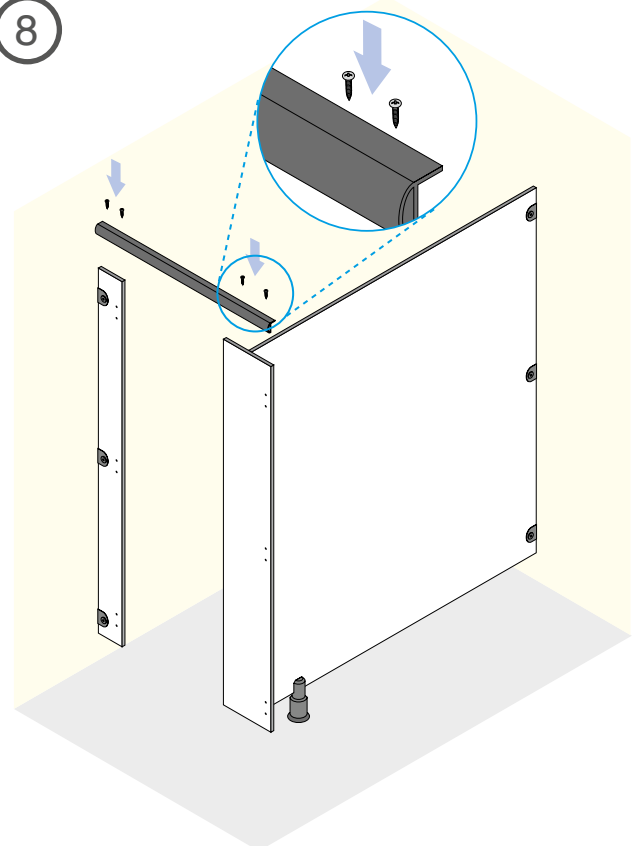
Attach three 'D' brackets to the opposite wall using screws and wall plugs provided. Ensure they are level with the pilaster.

7



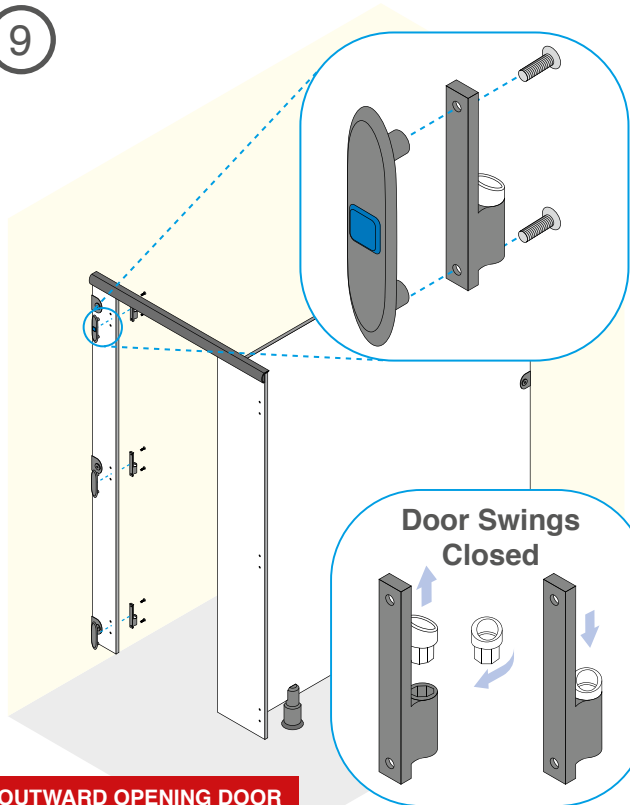
Position the end pilaster 100mm above the floor and drill through. Secure with T-nuts through the 'D' brackets.

8



Position the header rail and drill through into the pilasters. **Note: If installing multiple cubicles, attach all the partitions and pilasters first then the header rail as it extends over multiple cubicles.**

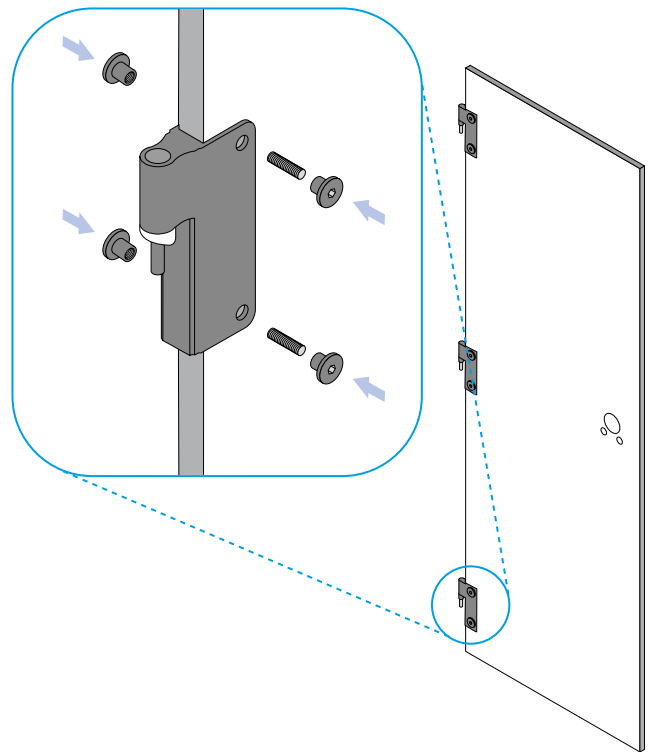
9



OUTWARD OPENING DOOR
 Attach the hinge part to the
 outer of the pilaster

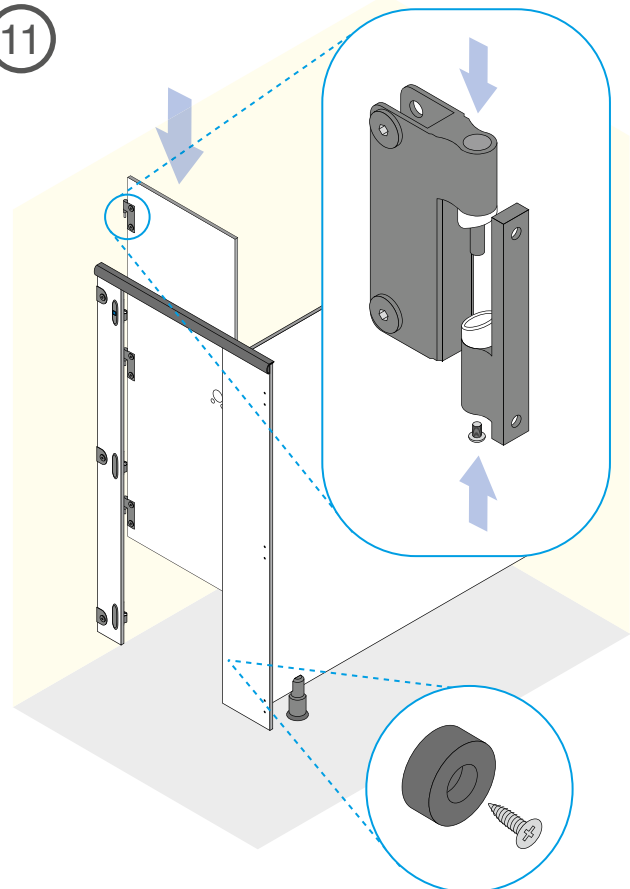
Separate the hinge parts. Attach the bottom part of the hinge plate via the pre-drilled holes on the pilaster. The door swings open as standard but can be altered to swing closed by rotating the plastic insert as shown.

10



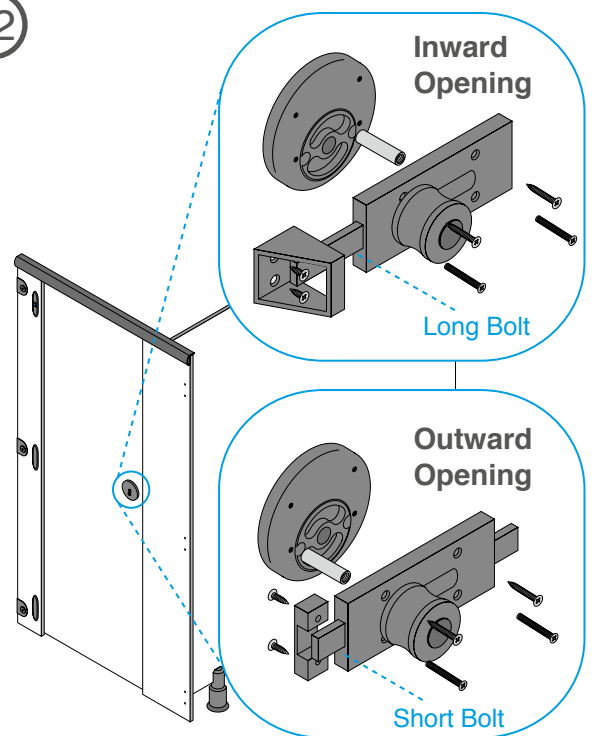
Attach the other part of the hinge to the door with T-nuts via the pre-drilled holes.

11



Hang the door by slotting the hinge parts together making sure the hinge screw is then fitted. Add two rubber buffers to where the door meets the other pilaster.

12

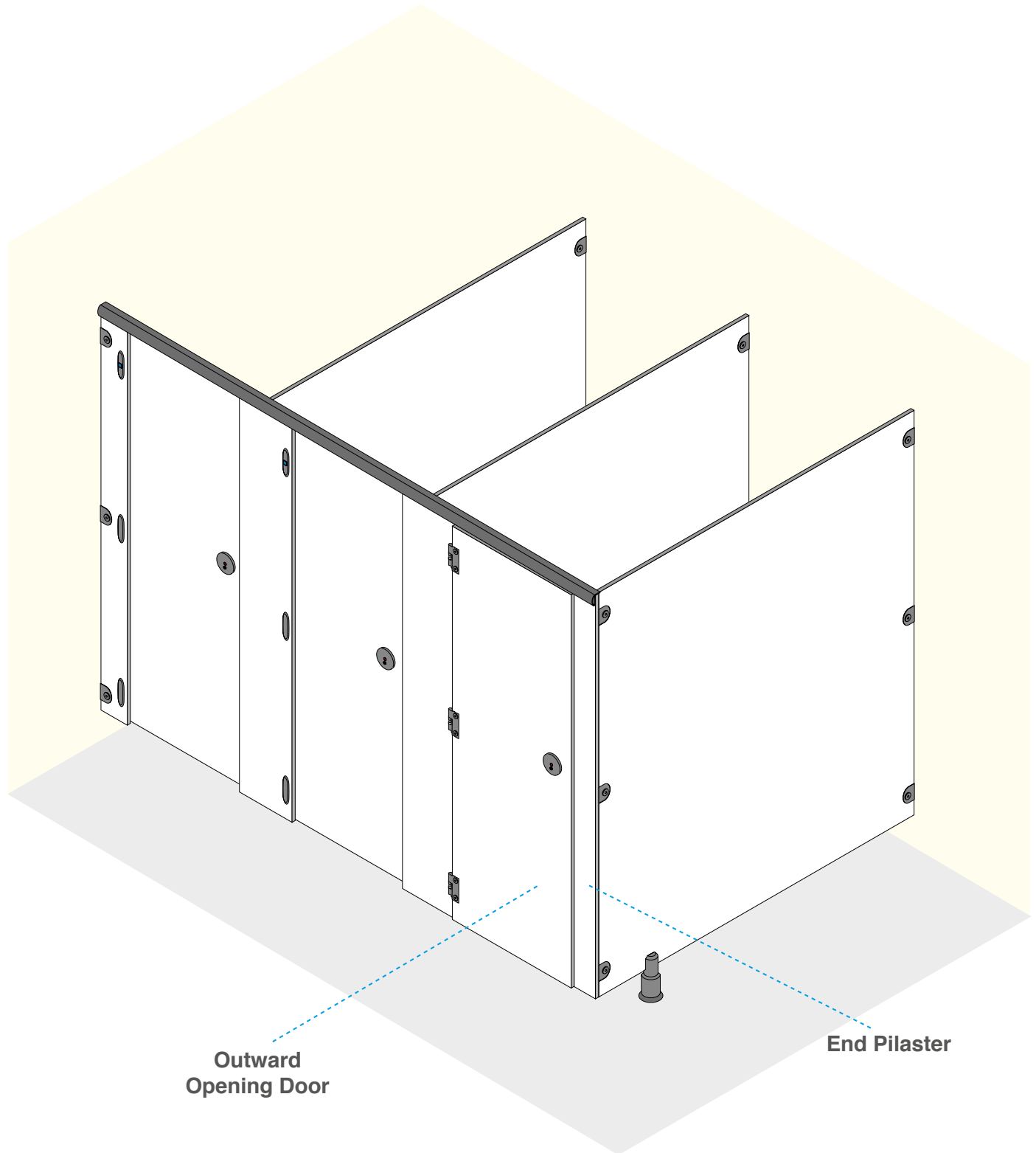


Ensemble the latch in the pre-drilled holes as shown.
Note: For outward opening doors attach the keep to the outer of the pilaster.

13

Test the door and locking mechanism to make sure it has been assembled correctly.
Ensure all fixings are secure.

Perform the previous steps to install any other cubicle configurations.



www.washroomcubicles.co.uk

© 2015 Cubicle Centre
Zest is a UK registered trademark of Cubicle Centre



Full range of sanitary ware available to buy online



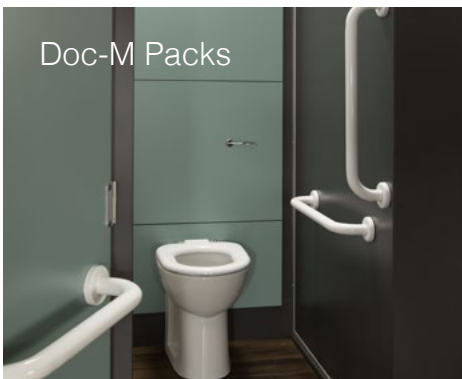
Toilet Pans



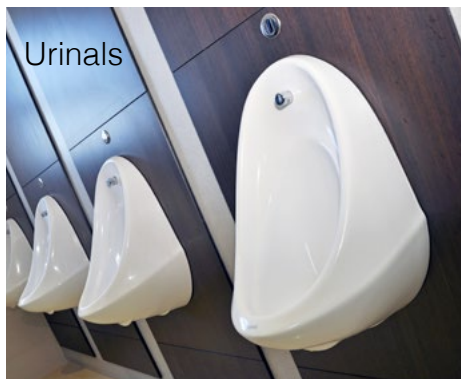
Basin Taps



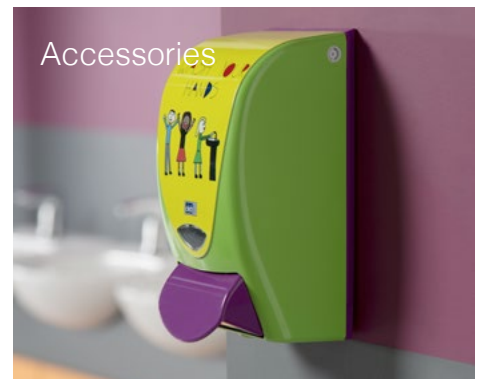
Wash Basins



Doc-M Packs



Urinals



Accessories

plumbware.co.uk