

Contact _____
 Company _____
 Tel _____
 Fax _____

Delivery Address _____

Please use the layout grid on page 2 for any washroom / changing room sketches you may wish to send us

①

Cubicles:

Pendle	<input type="checkbox"/>	Cairngorm	<input type="checkbox"/>
Pennine	<input type="checkbox"/>	Cotswold	<input type="checkbox"/>
Malvern	<input type="checkbox"/>	Zest	<input type="checkbox"/>
Malvern+	<input type="checkbox"/>	Brecon	<input type="checkbox"/>
Grampian	<input type="checkbox"/>	Sydney	<input type="checkbox"/>

Cubicle Details:

No. of cubicles _____

Enclosed Corner Inline

Depth (mm) _____

Wall-to-wall (mm) _____

Door colour _____

Partition colour _____

③

Wall Panel Systems:

Not required

Half height (1200mm)

Full height

Ceiling height _____

④

Vanity Units:

Inset type

Semi-Recessed type

Width _____

Height _____

②

Brecon Details:

For Brecon cubicles please complete page 3

⑤

Sanitary ware and washroom accessories sold separately
 Please list your **plumbware.co.uk** requirements below:

FOR OFFICE USE ONLY:

Date _____

Brecon Toilet Cubicles



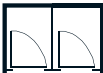
MFC (STANDARD) CGL

No. of toilet cubicles: _____

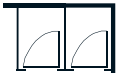
Specify: Enclosed Corner In-Line In-Line with Return

Depth (mm): _____ (1500mm STANDARD)

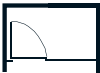
Wall to wall (mm): _____




Enclosed
(between walls)



Corner



In-Line



In-Line with Return

Doors

Door height (mm): 1500 1350 1200 (EXCLUDING REVERSE CURVE)

Door profile: Square Arch Reverse curve

Partitions

Partition height (mm): 1800 (STANDARD) Curved profile only
1500 1350 1200

Partition profile: Square (STANDARD) Curved

Hardware Multi-coloured (STANDARD) SAA finish

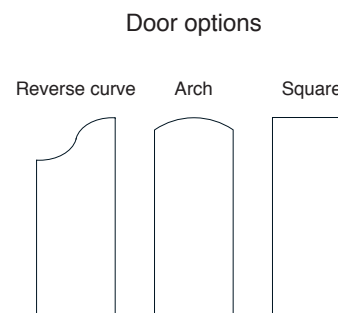
Colour options

Doors: _____

Pilasters: _____

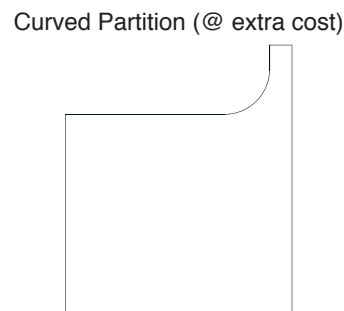
Partitions: _____

Edging: Contrasting Matching



Sticker options

	Quantity
Fish: Yellow <input type="checkbox"/> Blue <input type="checkbox"/>	_____
Starfish: Yellow <input type="checkbox"/>	_____
Seahorse: Yellow <input type="checkbox"/> Red <input type="checkbox"/>	_____



FAXBACK TO: 01924 437600