

Pendle Junior® Cubicle System

Uniclass 1.4 L2226

Uniclass 2015 Ss_25_12_60_60

Keynote

K32/120



+44 (0)1924 457600

design@washroomcubicles.co.uk

www.washroomcubicles.co.uk



VIEW MFC COLOURS

Manufacturer

Cubicle Centre
+44 (0)1924 457600
design@washroomcubicles.co.uk

CAD BLOCK
.dwg format

Product reference Pendle Junior Cubicle System
Material Melamine Faced Chipboard

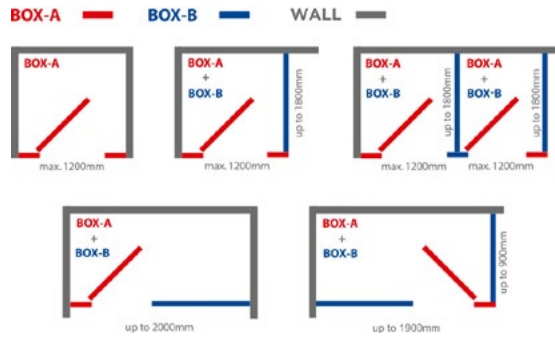
Overall cubicle height
1950mm including a 150mm floor clearance

Partitions
Partition depth adjustable up to 1800mm
Partition height 1800mm
Colour White

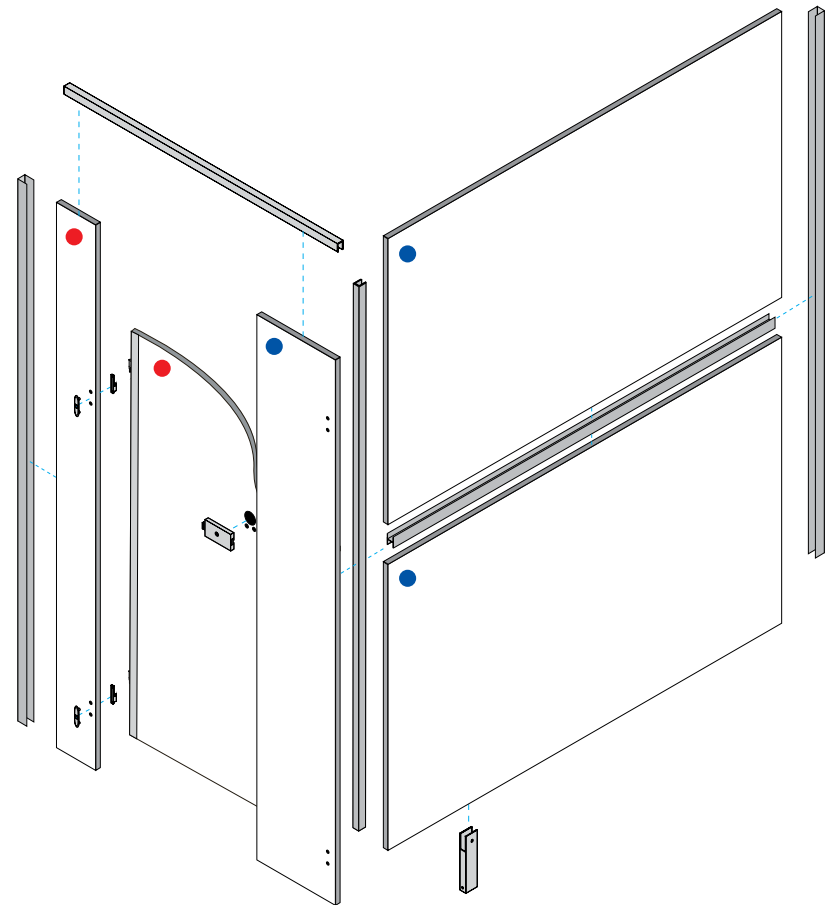
Doors
Colour Blueberry, Dragon Fruit

Fittings
SAA: head-rail, channel fittings including channel hinge assembly, 150mm leg, latch and plastic H section

Pendle Configurations



For guidance on standard toilet cubicle sizes referencing Building Regulations Part M and the Equality Act 2010 visit - www.washroomcubicles.co.uk/toilet-cubicle-sizes/



BOX - A (Door Pack)

BOX - B (Partition Pack)